



Date
Project
Fixture
Comments

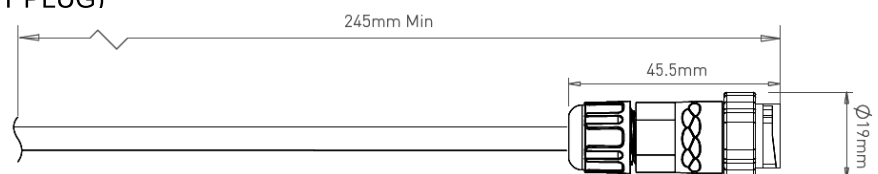
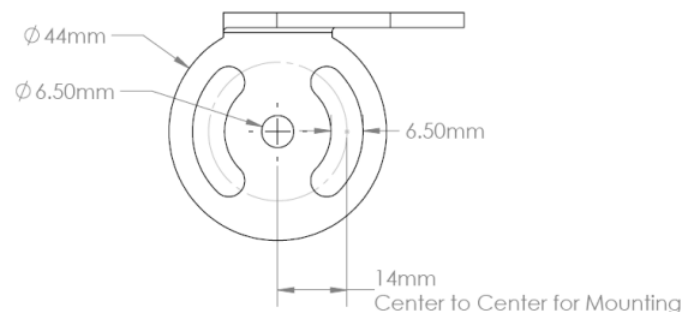
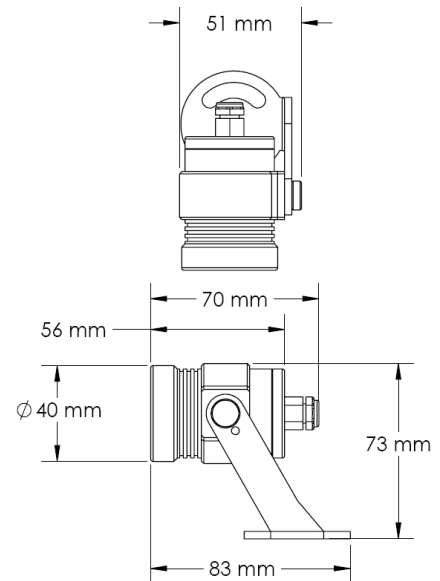
Part Number	Description
ST142	Storm DMX Spot - Dynamic White - Black Anodized Finish
ST144	Storm DMX Spot - Dynamic White - Silver Anodized Finish
ST145	Storm DMX Spot - RGBW - Black Anodized Finish
ST147	Storm DMX Spot - RGBW - Silver Anodized Finish

Description

The Storm DMX Spotlight is a rugged and compact DMX controlled light fixture available with RGBW or Dynamic White output. It is small and discreet but engineered to be powerful and versatile. It is a low-profile DMX controllable downlight with the same smooth optics as the Gantom DMX Spotlight but redesigned for permanent outdoor installation. The Storm DMX Spotlight is available in black or silver finish.

Features

- ▶ DMX Controllable
- ▶ DMX Address and color settings stored in internal memory
- ▶ Locking mount
- ▶ Light output comparable to GT11 or GT12 Gantom DMX Spotlight
- ▶ Waterproof connector for use with Gantom Pro Cable System
- ▶ 4.8W RGBW or dynamic white LED
- ▶ Constant output algorithm for all colors
- ▶ Enhanced sealing around lens and cable gland to improve water resistance
- ▶ Available in black or silver finish
- ▶ Class 2, low-voltage 12-24VDC input (DO NOT HOT PLUG)



Male Pro Cable Branch Connector

Technical Specifications

Source

LED model	Cree MC-E (RGBW), Cree XB-D (Dynamic White)
-----------	--

LED Color

RGBW	Red 650nm, Green , Blue 450nm, White 6500K
Dynamic White	3000K (90+ CRI) / 6500K

Electrical

Voltage range	12-24VDC DO NOT HOT PLUG
Wattage	4.8W max
Dimming Compatability	DMX
Connector	Gantom Pro Cable Connector

Physical

Materials	Machined aluminum
finish options	black, silver
IP rating	IP65 - for outdoor install
Weight	160 grams (5.6 oz)

Optical

	Beam / Field Angle	1m Illuminance	2m Illuminance	3m Illuminance
RGBW Beam / Field Angle All LEDs On	19° / 38°	930 lx (86 fc)	245 lx (23 fc)	105 lx (10 fc)
Dynamic White Beam / Field Angle Warm White Setting	19° / 38°	1400 lx (130 fc)	330 lx (31 fc)	144 lx (13 fc)
Dynamic White Beam / Field Angle Cool White Setting	19° / 38°	1800 lx (167 fc)	420 lx (39 fc)	182 lx (17 fc)

Distance to Projection Surface	1m (3.3 ft)	2m (6.6 ft)	3m (9.8 ft)
Beam Diameter	0.3m (1.1 ft)	0.7m (2.2 ft)	1m (3.3 ft)

Available Accessories

Part#	Accessory Description
FA23	Angled Beam Control Cowling for 40 mm Fixture - Black Anodized Finish
FA26	Beam Control Snoot 40 mm Fixture - Black Anodized Finish
FA33	Gel and Diffuser Retainer for 40 mm Fixture - Black Anodized Finish
FA41	Ground Stake - 205 mm Length

Thermal

Ambient operating temperature	0-50° C
Cooling method	passive
BTUs / hour	16 max

DMX

Channel Footprint	RGBW: 4 DW: 2
Channel Mapping	RGBW: 1 R, 2 G, 3 B, 4 W DW: 1 CW, 2 WW
Addressing	Gantom Programmer App or DarkBox Programmer
Lowest Dimming Level	0.05%

Warranty

Fixture	2 years
---------	---------

Certifications

USA / Canada	UL
Europe	CE, RoHS