



Date
Project
Fixture
Comments

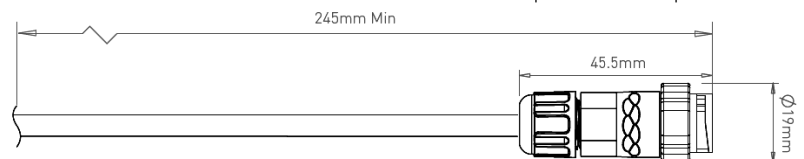
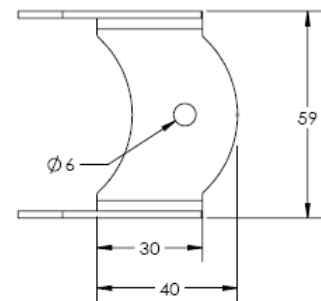
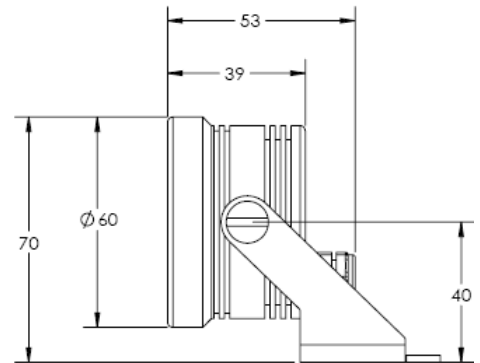
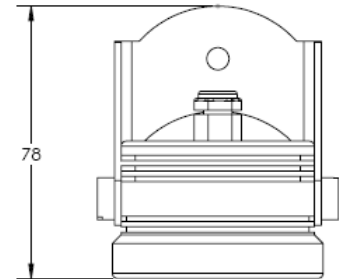
Part Number	Description
ST185	Storm One DMX - Warm White - Black Anodized finish
ST186	Storm One DMX - Warm White - Silver Anodized finish
ST187	Storm One DMX - Cool White - Black Anodized finish
ST188	Storm One DMX - Cool White - Silver Anodized finish

Description

The Storm One DMX pinspot is a rugged and compact outdoor light fixture with a very narrow native beam angle and DMX control for precise dimming. They are available with Warm White or Cool White output. The fixtures can also be manufactured with a custom color LED by special quotation. They are small and discreet but engineered to be powerful and versatile. The fixtures are similar in size and output to our Gantom One spotlights, but redesigned for permanent outdoor installation. The Storm One DMX is available in black or silver finish. Also available are diffusers for widening the beam and a diffuser retaining accessory.

Features

- ▶ 4.8 Watt LED
- ▶ Waterproof connector for use with Gantom Pro Cable System
- ▶ Warm White (90+ CRI) or Cool White LED
- ▶ Individually addressable and DMX controllable
- ▶ Enhanced sealing around lens and cable gland to improve water resistance
- ▶ Class 2, low-voltage 12-24VDC input (DO NOT HOT PLUG)
- ▶ Available in black or silver finish



Male Pro Cable Branch Connector

Technical Specifications

Source

LED model	Cree Xlamp XP-G
-----------	-----------------

LED Color

Warm White	3000K (90+ CRI)
Cool White	6500K

Electrical

Voltage range	12-24VDC DO NOT HOT PLUG
Wattage	4.8W max
Dimming Compatability	DMX Controlled
Connector	Gantom Pro Cable Connector

Physical

Materials	Machined aluminum
finish options	black, silver
IP rating	IP65 - for permanent outdoor install
Weight	227 grams (8.0 oz)

Optical

	Beam / Field Angle	1m Illuminance	2m Illuminance	3m Illuminance
Cool White Spot	2.7° / 4.5°	22100 lx (2053.2 fc)	8100 lx (752.5 fc)	4100 lx (380.9 fc)
Warm White Spot	2.7° / 4.5°	15000 lx (1393.5 fc)	5500 lx (511.0 fc)	2700 lx (250.8 fc)

Distance to Projection Surface	1 m (3.3 ft)	2 m (6.6 ft)	3 m (9.8 ft)
Beam Diameter	0.05 m (0.2 ft)	0.1 m (0.3 ft)	0.15 m (0.5 ft)

Available Accessories

Part#	Accessory Description
RP32	Diffuser Pack (4x diffusers with varying beam spread)
FA34	Gel and Diffuser Retainer for 60 mm Fixture - Black Anodized Finish
FA28	Angled Beam Control Cowling for 60 mm Fixture - Black Anodized Finish
FA27	Beam Control Snoot for 60 mm Fixture - Black Anodized Finish
FA41	Ground Stake - 205mm Length

Thermal

Ambient operating temperature	0-50° C
Cooling method	passive
BTUs / hour	16 max

DMX

Channel Footprint	single channel
Channel Mapping	Ch1. Intensity (0-255)
Addressing	Gantom Programmer App or DarkBox Programmer
Lowest Dimming Level	0.05%

Warranty

Fixture	2 years
---------	---------

Certifications

USA / Canada	UL
Europe	CE, RoHS