



Date
Project
Fixture
Comments

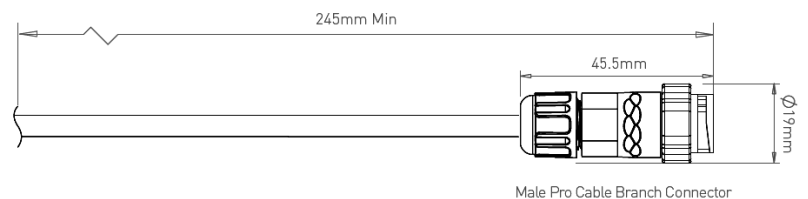
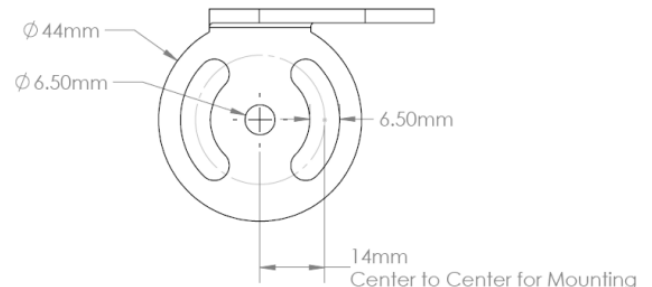
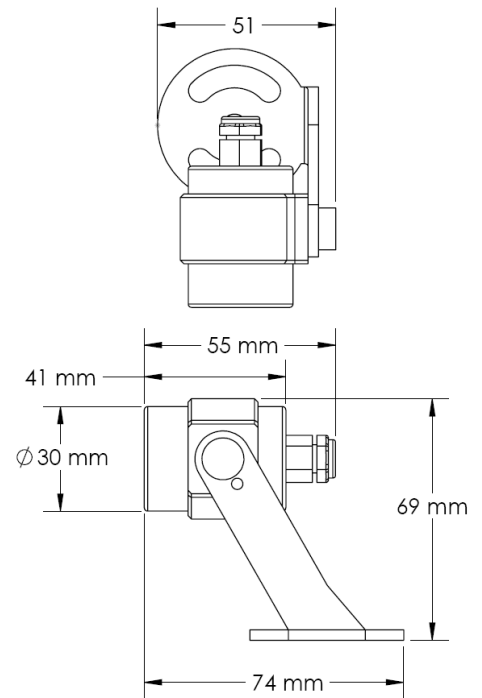
Part Number	Description
ST110	Storm Z Spot - Warm White - Black Anodized finish
ST112	Storm Z Spot - Warm White - Silver Anodized finish
ST113	Storm Z Spot - Cool White - Black Anodized finish
ST115	Storm Z Spot - Cool White - Silver Anodized finish
ST116	Storm Z Flood - Warm White - Black Anodized finish
ST118	Storm Z Flood - Warm White - Silver Anodized finish
ST119	Storm Z Flood - Cool White - Black Anodized finish
ST121	Storm Z Flood - Cool White - Silver Anodized finish

Description

The Storm Z Spotlights and Floodlights are rugged and compact outdoor light fixtures. They are available with Warm White or Cool White output. The fixtures can also be manufactured with a custom color LED by special quotation. They are small and discreet but engineered to be powerful and versatile. The fixtures are similar in size and output to our Precision Z spotlights and floodlights, but redesigned for permanent outdoor installation. The Storm Z is available in black or silver finish.

Features

- ▶ Locking mount
- ▶ 1.5 Watt LED
- ▶ Waterproof connector for use with Gantom Pro Cable System
- ▶ Warm White (90+ CRI) or Cool White LED
- ▶ Enhanced sealing around lens and cable gland to improve water resistance
- ▶ Available in black or silver finish
- ▶ Class 2, low-voltage 12-24VDC input (DO NOT HOT PLUG)



Technical Specifications

Source

LED model	Cree Xlamp XP-G
-----------	-----------------

LED Color

Warm White	3000K (90+ CRI)
Cool White	6500K

Electrical

Voltage range	12-24VDC DO NOT HOT PLUG
Wattage	1.5W max
Dimming Compatability	PWM
Connector	Gantom Pro Cable Connector

Physical

Materials	Machined aluminum
finish options	black, silver
IP rating	IP65 - for outdoor install
Weight	127 grams (4.5 oz)

Optical

	Beam / Field Angle	1m Illuminance	2m Illuminance	3m Illuminance
Warm White Spot	12° / 21°	750 lx (70 fc)	190 lx (18 fc)	85 lx (8 fc)
Cool White Spot	12° / 21°	1020 lx (95 fc)	265 lx (25 fc)	117 lx (11 fc)
Warm White Flood	42° / 70°	160 lx (15 fc)	45 lx (4 fc)	19 lx (2 fc)
Cool White Flood	42° / 70°	190 lx (18 fc)	51 lx (5 fc)	23 lx (2 fc)

Distance to Projection Surface	1m (3.3 ft)	2m (6.6 ft)	3m (9.8 ft)
Beam Diameter (Spot)	0.21m (.7 ft)	0.42m (1.4 ft)	0.63m (2.1 ft)
Beam Diameter (Flood)	0.77m (2.5 ft)	1.5m (5 ft)	2.3m (7.6 ft)

Available Accessories

Part#	Accessory Description
FA21	Angled Beam Control Cowling for 30 mm Fixture - Black Anodized Finish
FA24	Beam Control Snoot 30 mm Fixture - Black Anodized Finish
FA31	Gel and Diffuser Retainer for 30 mm Fixture - Black Anodized Finish
FA40	Ground Stake - 160mm Length

Thermal

Ambient operating temperature	0-50° C
Cooling method	passive
BTUs / hour	6 max

Warranty

Fixture	2 years
---------	---------

Certifications

USA / Canada	UL
Europe	CE, RoHS