



Date
Project
Fixture
Comments

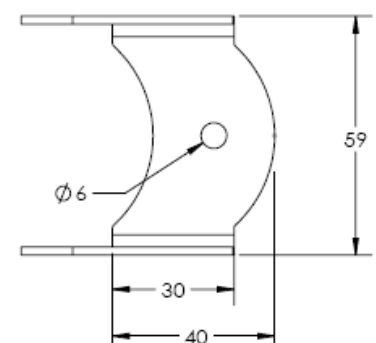
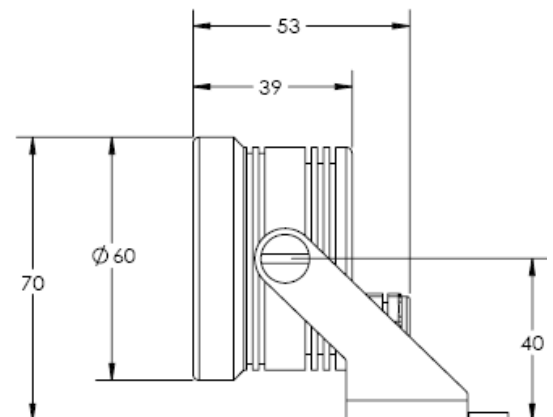
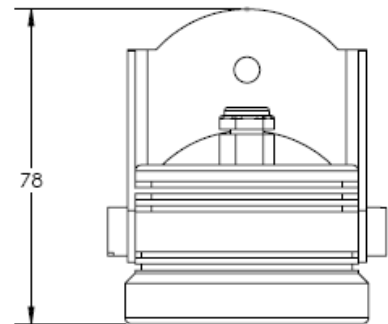
Part Number	Description
GT51	Gantom One - Cool White (6500K)
GT52	Gantom One - Warm White (3000K)
GT53	Gantom One - Ultraviolet (395nm)

Description

Compact, powerful, versatile... this is the One. Gantom listened to some of the most skilled lighting professionals in the industry, and based on their input, designed the One; the pinspot to rule all pinspots. Compared to a traditional 30W pinspot, the One runs cooler and safer on far less power, has much cleaner optics, and can even be run on batteries. The Gantom One includes an integrated, easy-to-use magnetic accessory mounting system. Choose from an almost infinite array of color filters and diffusers to achieve any effect you desire, then install the perfect option without tools or hassle.

Features

- ▶ Ultra narrow beam optics for optimal, long-distance throw
- ▶ Exceeds output of traditional 30W pinspots while using only 4.8W
- ▶ Low voltage and minimal heat for improved safety over incandescent sources
- ▶ Magnetic accessory attachment for filters and diffusers included
- ▶ Warm White or Cool White LED
- ▶ Internal constant-current driver gives efficient and consistent output
- ▶ Class 2, low-voltage 12-24VDC input (DO NOT HOT PLUG)
- ▶ Minimal maintenance required with over 50,000 hour lamp life.
- ▶ Standard 2.1mm DC barrel jack for power
- ▶ Screw Terminal Adapter included for connecting to bare wires



Technical Specifications

Source

LED model	Cree Xlamp XP-G
-----------	-----------------

LED Color

Warm White	3000K
Cool White	6500K

Electrical

Voltage range	12-24VDC DO NOT HOT PLUG
Wattage	4.8W max
Dimming Compatability	PWM Dimmable
Connector	2.1 mm DC Barrel Jack

Physical

Materials	Machined aluminum
finish options	black default, silver available by custom order
IP rating	IP65 - not for uplighting applications where water can collect in lens. Connector is not waterproof or water resistant.
Weight	227 grams (8.0 oz)

Optical

	Beam / Field Angle	1m Illuminance	2m Illuminance	3m Illuminance
Cool White Spot	2.7° / 4.5°	22100 lx (2053.2 fc)	8100 lx (752.5 fc)	4100 lx (380.9 fc)
Warm White Spot	2.7° / 4.5°	15000 lx (1393.5 fc)	5500 lx (511.0 fc)	2700 lx (250.8 fc)

Diffuser Installed	Narrow Diffuser	Medium Diffuser	Wide Diffuser	Assymmetric Diffuser	No Diffuser
Marking	1 Notch	2 Notches	3 Notches	U Notch	N/A
Beam / Field Angle	9° / 18°	27° / 51°	70° / 110°	18° / 32° short axis 47° / 84° long axis	2.7° / 4.5°
Brightview Part#	C-HE10	C-HE30	C-HE80	N/A	N/A

Available Accessories

Part#	Accessory Description
RP32	Replacement Diffuser Pack (4x diffusers with varying beam spread)
FA34	Permanent Gel and Diffuser Retainer for 60 mm Fixture - Black Anodized Finish
FA28	Angled Beam Control Cowling for 60 mm Fixture - Black Anodized Finish
FA27	Beam Control Snoot for 60 mm Fixture - Black Anodized Finish

Thermal

Ambient operating temperature	0-50° C
Cooling method	passive
BTUs / hour	16 max

Warranty

Fixture	2 years
---------	---------

Certifications

USA / Canada	UL
Europe	CE, RoHS