

20° swivel with 30mm adapter

Date
Project
Fixture
Comments

Part Number	Description
PM67	Ping Swivel Mount w/Collar for 30mm and 40mm Fixtures - Black

## Description

The Ping Swivel Mount allows for a clean surface installation of the Precision Z, CP-7, and Gantom V2 lighting fixtures. This mount neatly hides the lighting fixture and all wiring into the space above. It has been designed to ensure the entire lighting fixture is hidden from view, eliminating the need for painting the fixtures before installation. For more information please contact [quotes@gantom.com](mailto:quotes@gantom.com) for pricing.



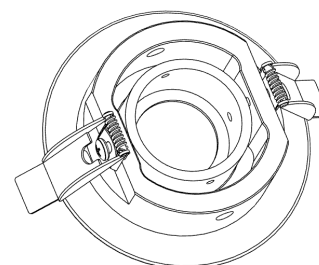
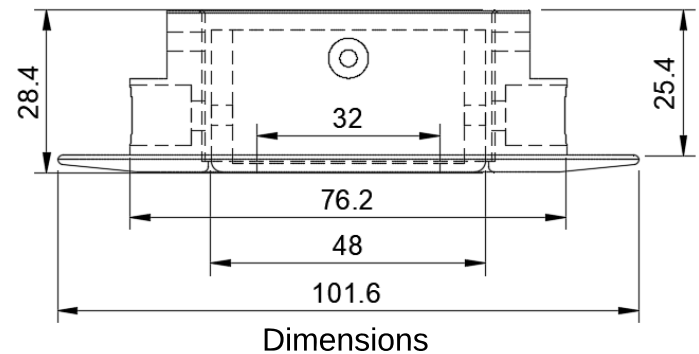
Shown with  
Gantom V2  
Fixture Installed

## Features

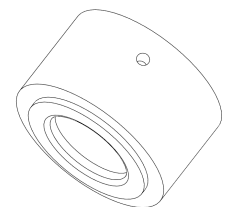
- ▶ Anodized black milled aluminum
- ▶ 20° +/- swivel
- ▶ Fits in a 80mm-90mm mounting hole
- ▶ Spring clips hold the mount in place
- ▶ Compatible with all Precision Z and Gantom V2 fixtures

## Specifications

Materials	Machined aluminum
Color	Anodized Black
Weight	280 grams (9.88 oz)
Dimensions	102mm x 102mm x 40mm
Mounting Hole Ø	80mm (3.15") - 90mm (3.5")
Mounting Depth - V2	80mm min
Mounting Depth - Precision Z	60mm min



View of 40mm  
Opening



30mm  
Adapter